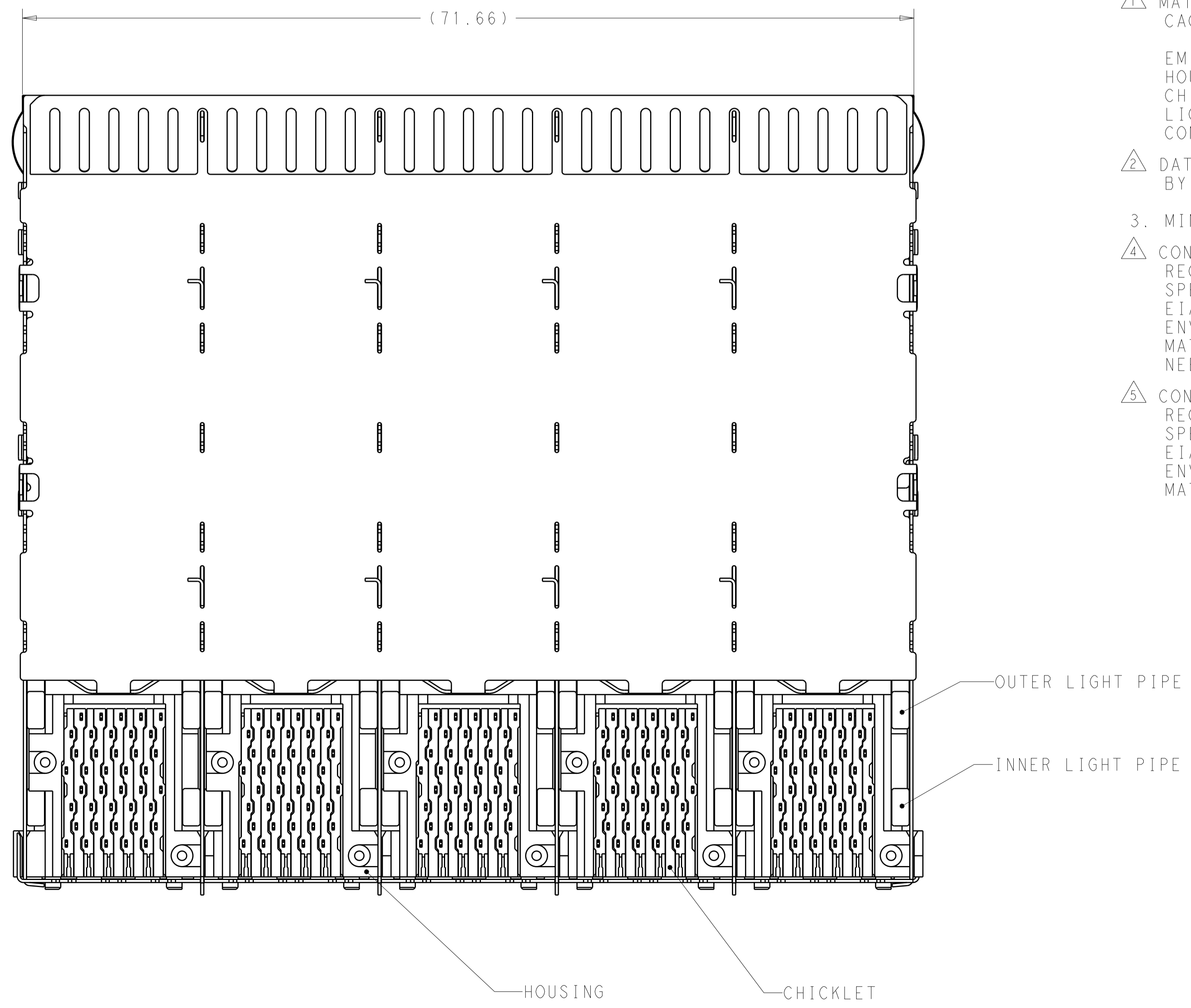
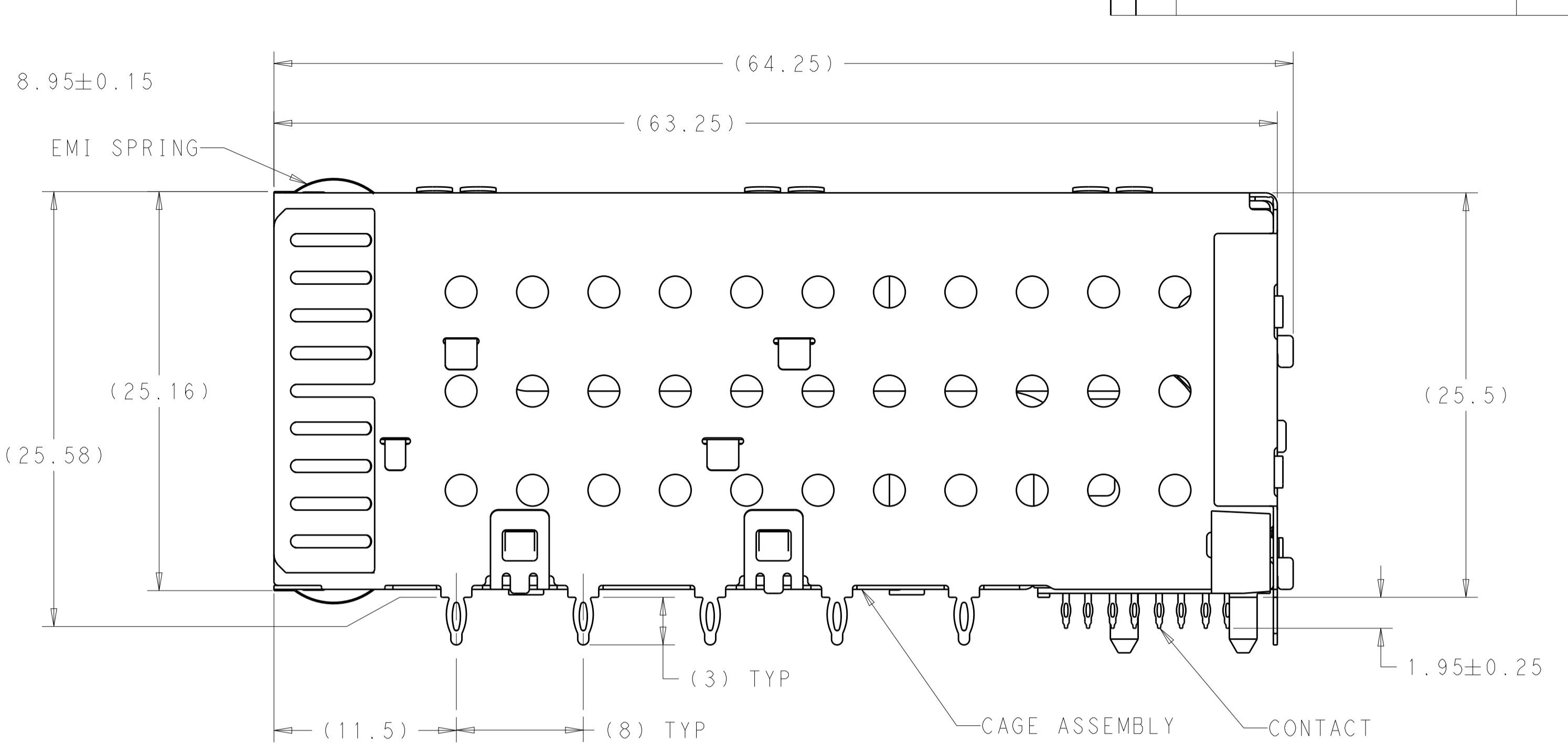
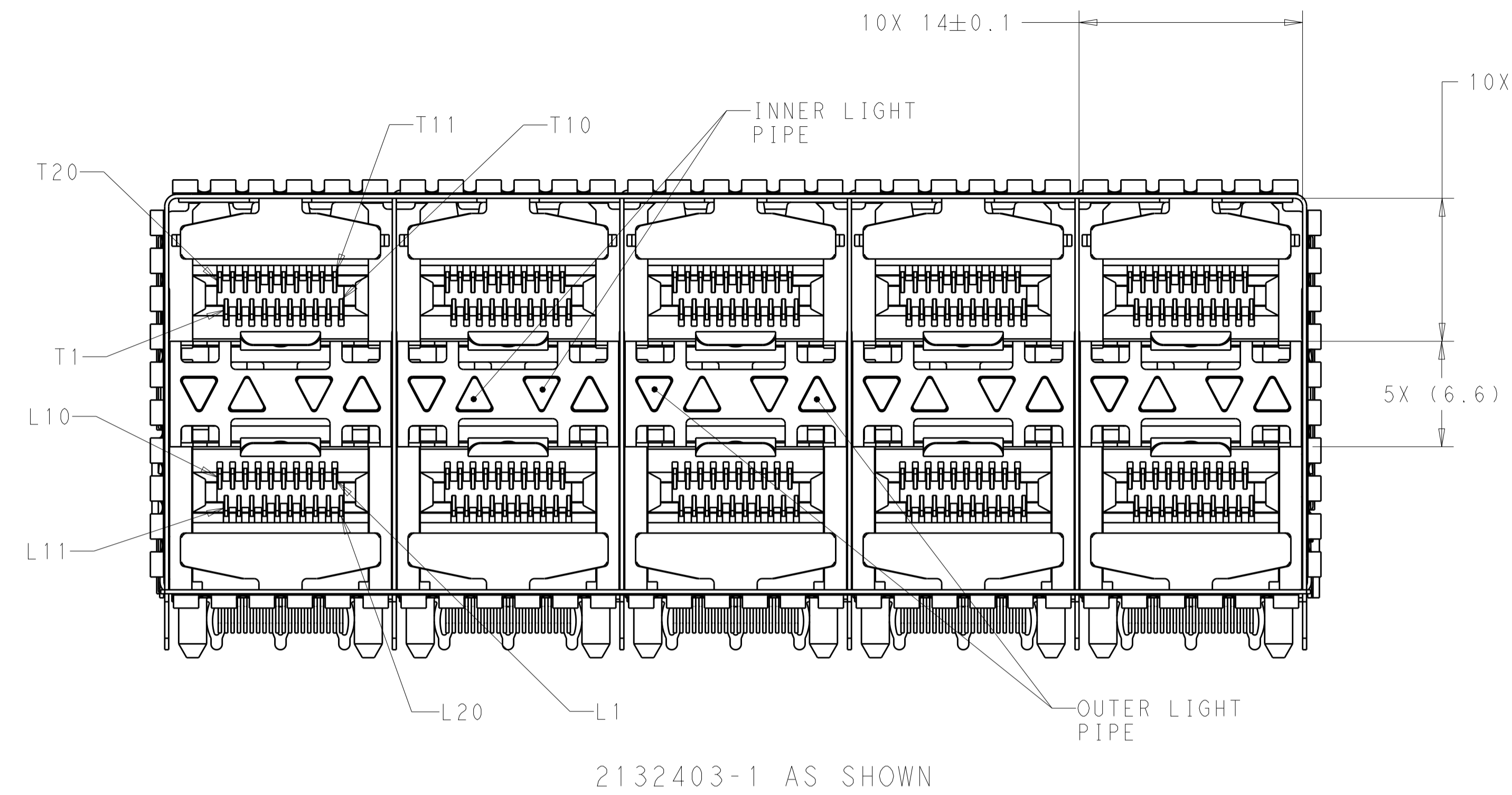


LOC	DIST	REVISIONS			
P	LTN	DESCRIPTION	DATE	DWN	APVD
GP	00	A	RELEASED	05APR2013	CJV PAR



- 1 MATERIALS:
CAGE ASSEMBLY- NICKEL SILVER ALLOY PER ASTM B 122.
EMI SPRING- COPPER ALLOY.
HOUSING- BLACK LCP, UL 94V-0 RATED.
CHICKLET- BLACK LCP, UL 94V-0 RATED.
LIGHT PIPE- POLYCARBONATE, CLEAR.
CONTACT- COPPER ALLOY.
- 2 DATUM AND BASIC DIMENSIONS ESTABLISHED BY CUSTOMER.
- 3. MINIMUM PCB THICKNESS OF 1.5.
- 4 CONTACT FINISH: CONFORMS TO THE REQUIREMENTS OF TE PRODUCT SPECIFICATION 108-2331, BASED ON EIA/ECA-364-1000.01A, (CONTROLLED ENVIRONMENT APPLICATIONS) ON MATING INTERFACE, TIN-LEAD ON NEEDLE EYE.
- 5 CONTACT FINISH: CONFORMS TO THE REQUIREMENTS OF TE PRODUCT SPECIFICATION 108-2331, BASED ON EIA/ECA-364-1000.01A, (CONTROLLED ENVIRONMENT APPLICATIONS) ON MATING INTERFACE, TIN ON NEEDLE EYE.
- 6 FOR HOLE SIZE AND PLATINGS, SEE APPLICATION SPEC 114-13219.
- 7 THE ENTIRE AREA OF THE CONNECTOR FOOTPRINT, INDICATED BY THE DASHED LINE, TO BE CONSIDERED THE KEEPTOUT AREA FOR COMPONENTS AND SIGNAL TRACES, TOP SIDE ONLY. TOP SIDE TRACES ALLOWED WITHIN CONNECTOR HOLE PATTERN.
- 8 LIGHT PIPE PAD LAYOUT IS FOR 0805 LOW PROFILE LED PACKAGE WITH A HEIGHT OF 0.8mm.
- 9 EMI SPRING FINISH: 0.8µm MINIMUM MATTE TIN OVER 0.8µm MINIMUM NICKEL, NON-PLATED EDGES PERMISSIBLE.
- 10 ADDITIONAL COMPONENT LOCATED WITHIN LATCH PLATE FOR EMI SUPPRESSION.

ENHANCED EMI	FINISH	DESCRIPTION	PART NUMBER
YES 10	5	NO LIGHT PIPES	1-2132403-8
		OUTER 2 LIGHT PIPES	1-2132403-7
		INNER 2 LIGHT PIPES	1-2132403-6
NO	5	4 LIGHT PIPES	1-2132403-5
		NO LIGHT PIPES	2132403-8
		OUTER 2 LIGHT PIPES	2132403-7
NO	4	INNER 2 LIGHT PIPES	2132403-6
		4 LIGHT PIPES	2132403-5
		NO LIGHT PIPES	2132403-4
		OUTER 2 LIGHT PIPES	2132403-3
		INNER 2 LIGHT PIPES	2132403-2
		4 LIGHT PIPES	2132403-1

THIS DRAWING IS A CONTROLLED DOCUMENT. DIMENSIONING AND TOLERANCING PER ASME Y14.5M-2009. TOLERANCES UNLESS OTHERWISE SPECIFIED:

DIMENSIONS:	mm	0 PLC ±0.1	1 PLC ±0.1	2 PLC ±0.1	3 PLC ±0.1	4 PLC ±0.1	ANGLES ±°	FINISH
-------------	----	------------	------------	------------	------------	------------	-----------	--------

MATERIAL 1

FINISH 4 5 9

OWN C. VALENTINE 06JAN2010
CHK J. PETERSON 06JAN2010
APVD J. PETERSON 06JAN2010

NAME CAGE AND PT CONNECTOR ASSEMBLY, WITH EMI SPRINGS, PRESS FIT, 2X5, STACKED SFP+

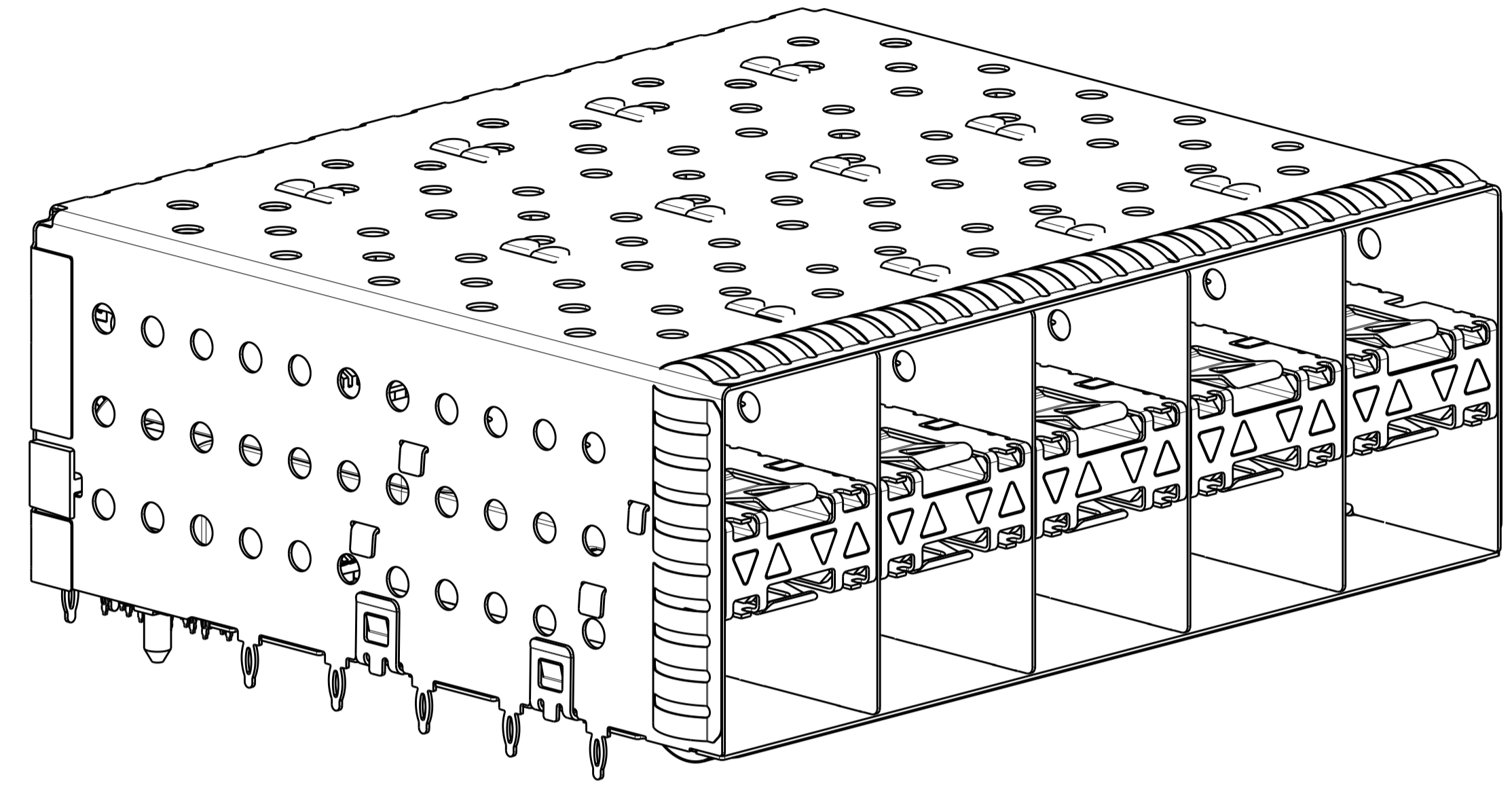
PRODUCT SPEC 108-2331
APPLICATION SPEC 114-13219

SIZE CAGE CODE DRAWING NO A100779C=2132403
WEIGHT
CUSTOMER DRAWING

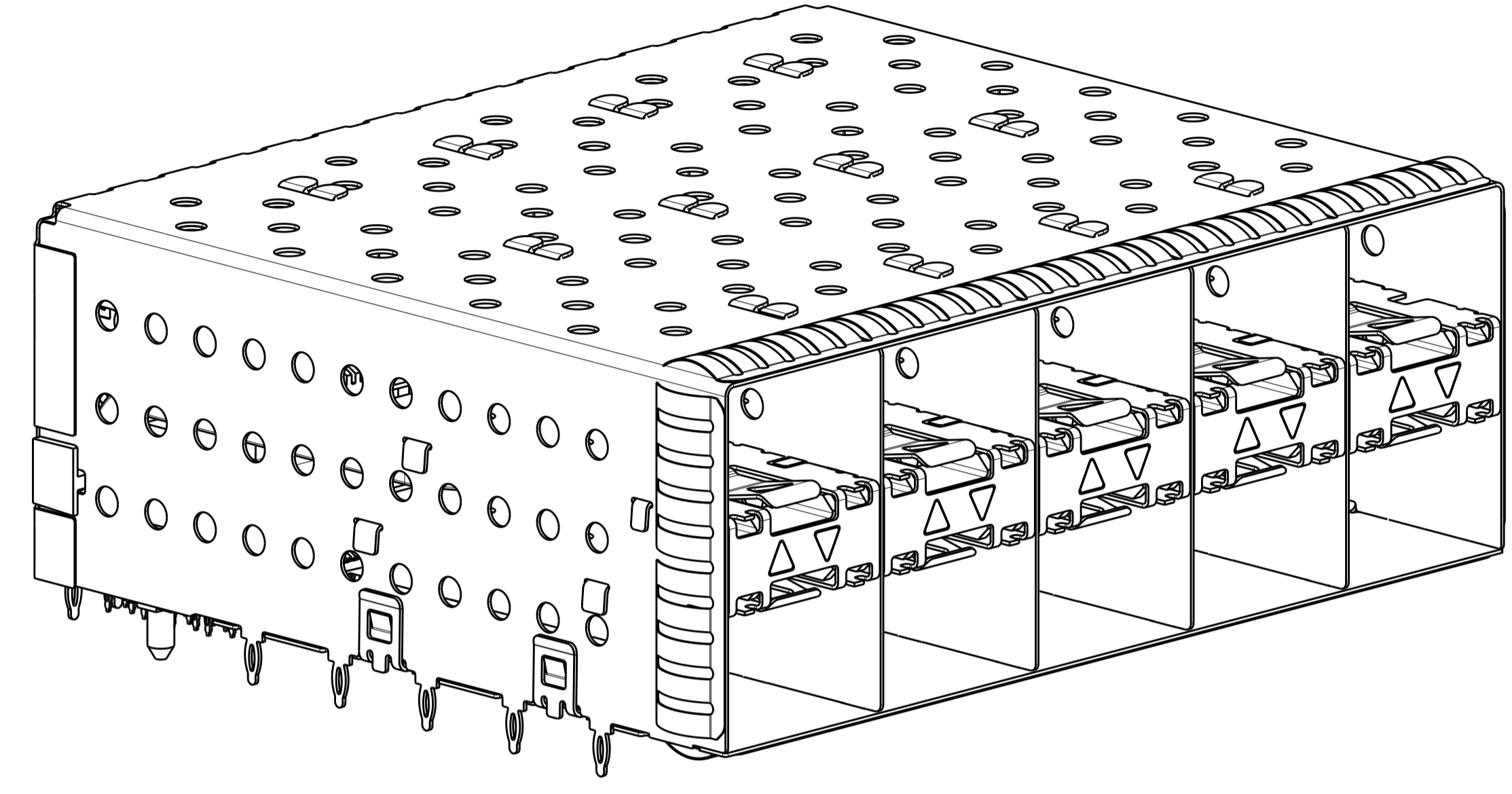
TE Connectivity

SCALE 4:1 SHEET 1 OF 4 REV A

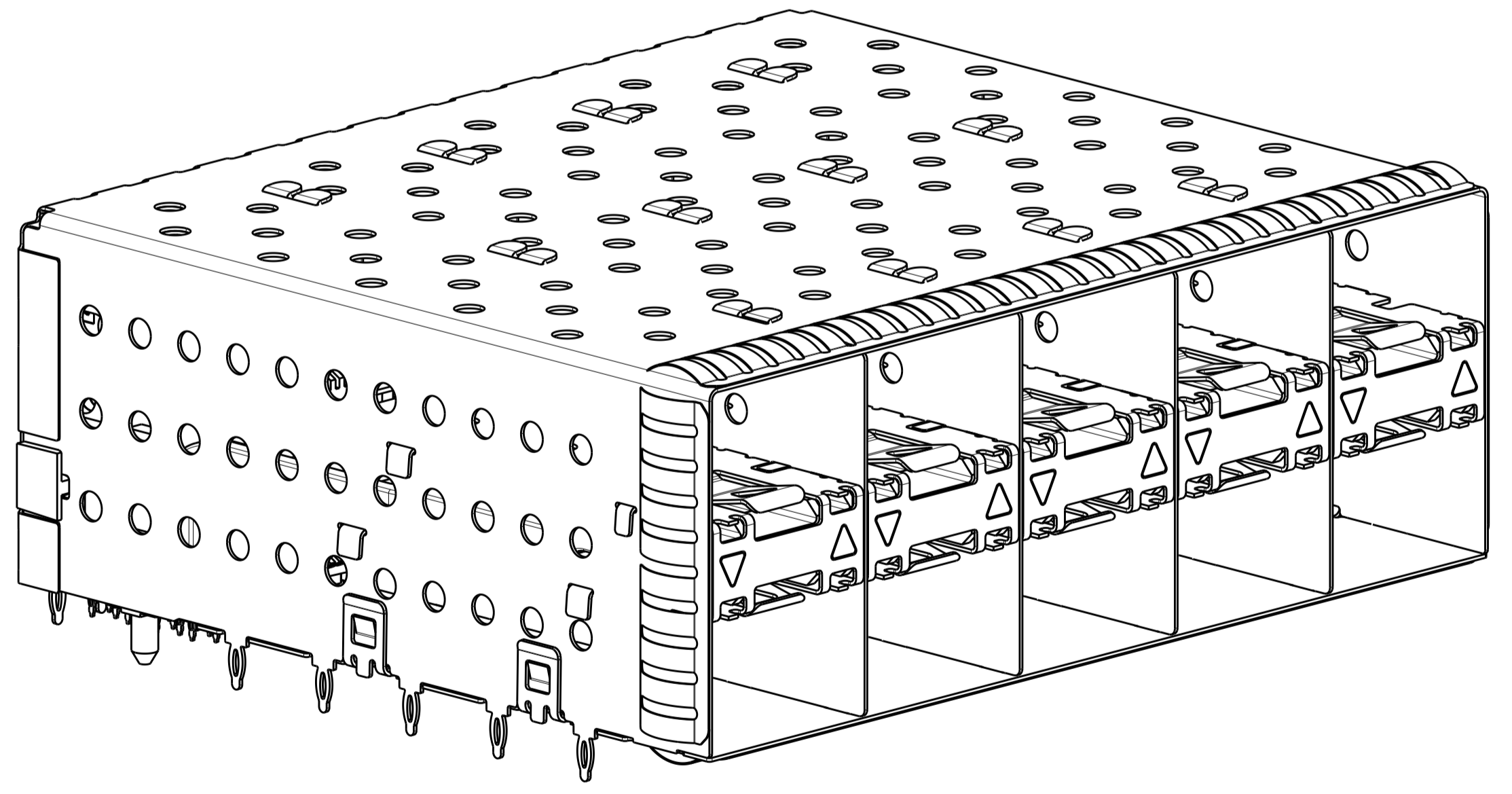
LOC		DIST		REVISIONS			
GP	00	P	LYR	DESCRIPTION	DATE	DMN	APVD
		-		SEE SHEET 1			



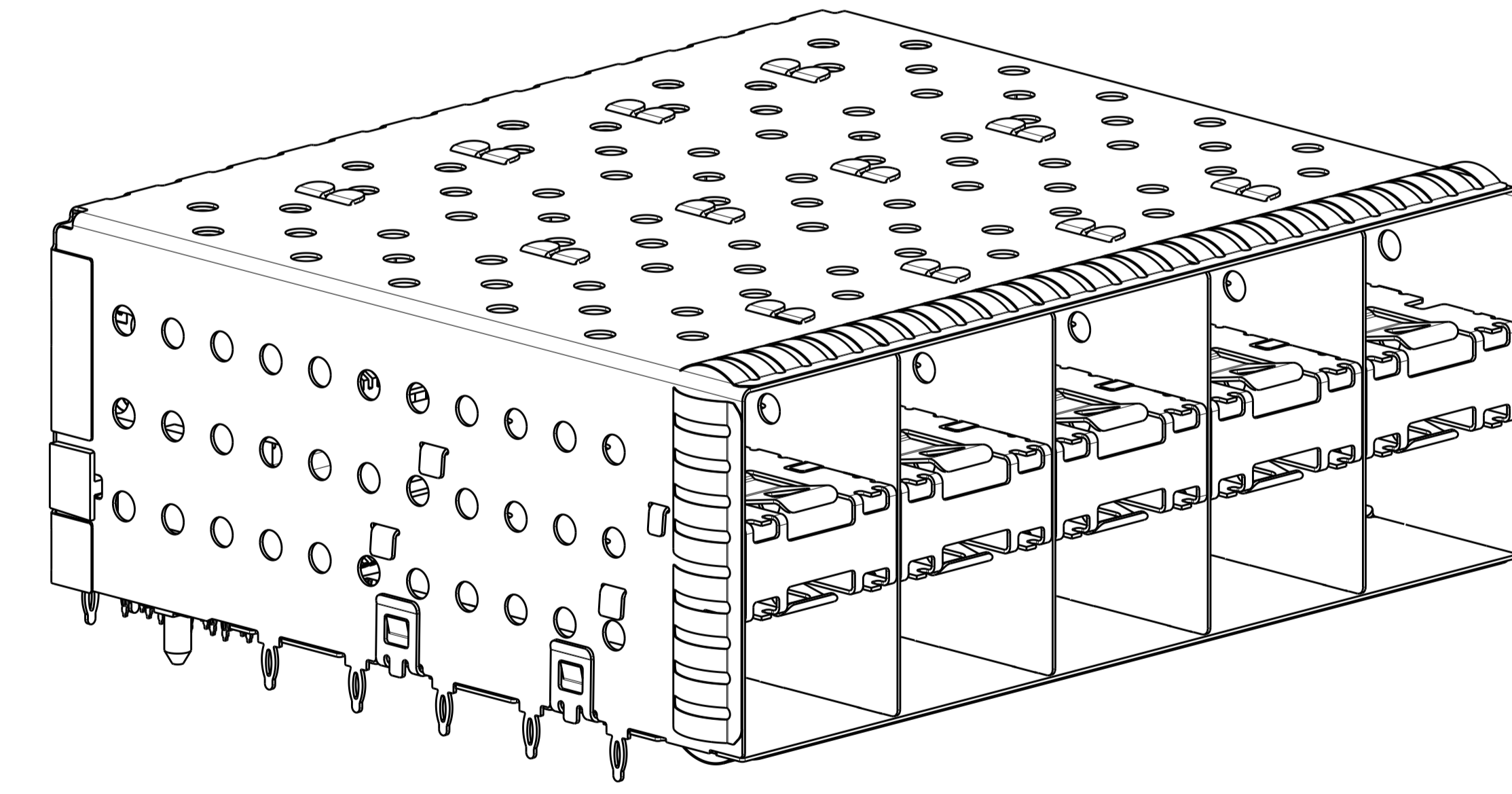
2132403-1, 2132403-5 AND 1-2132403-5
 SCALE 3:1



2132403-2, 2132403-6 AND 1-2132403-6
 SCALE 3:1



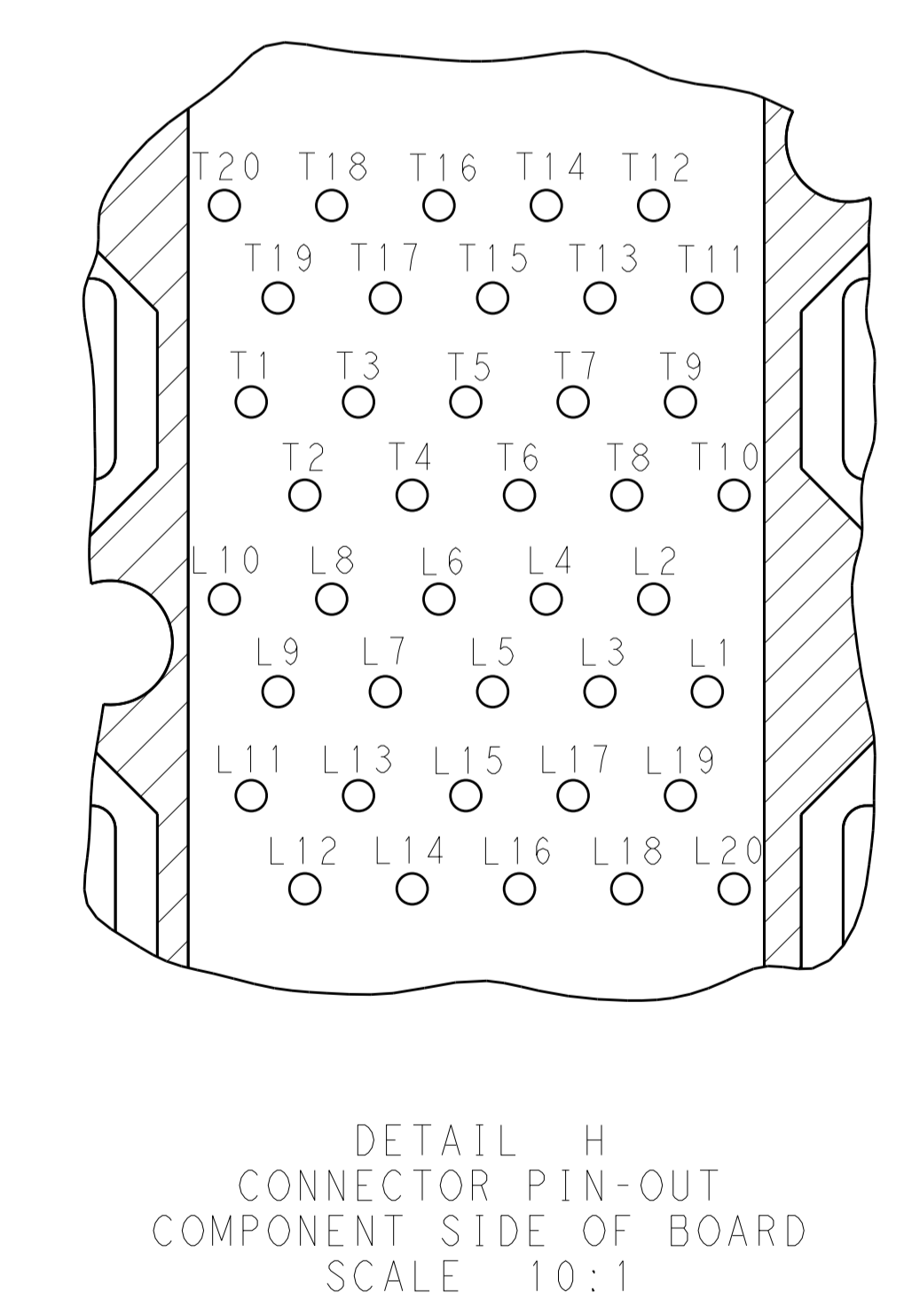
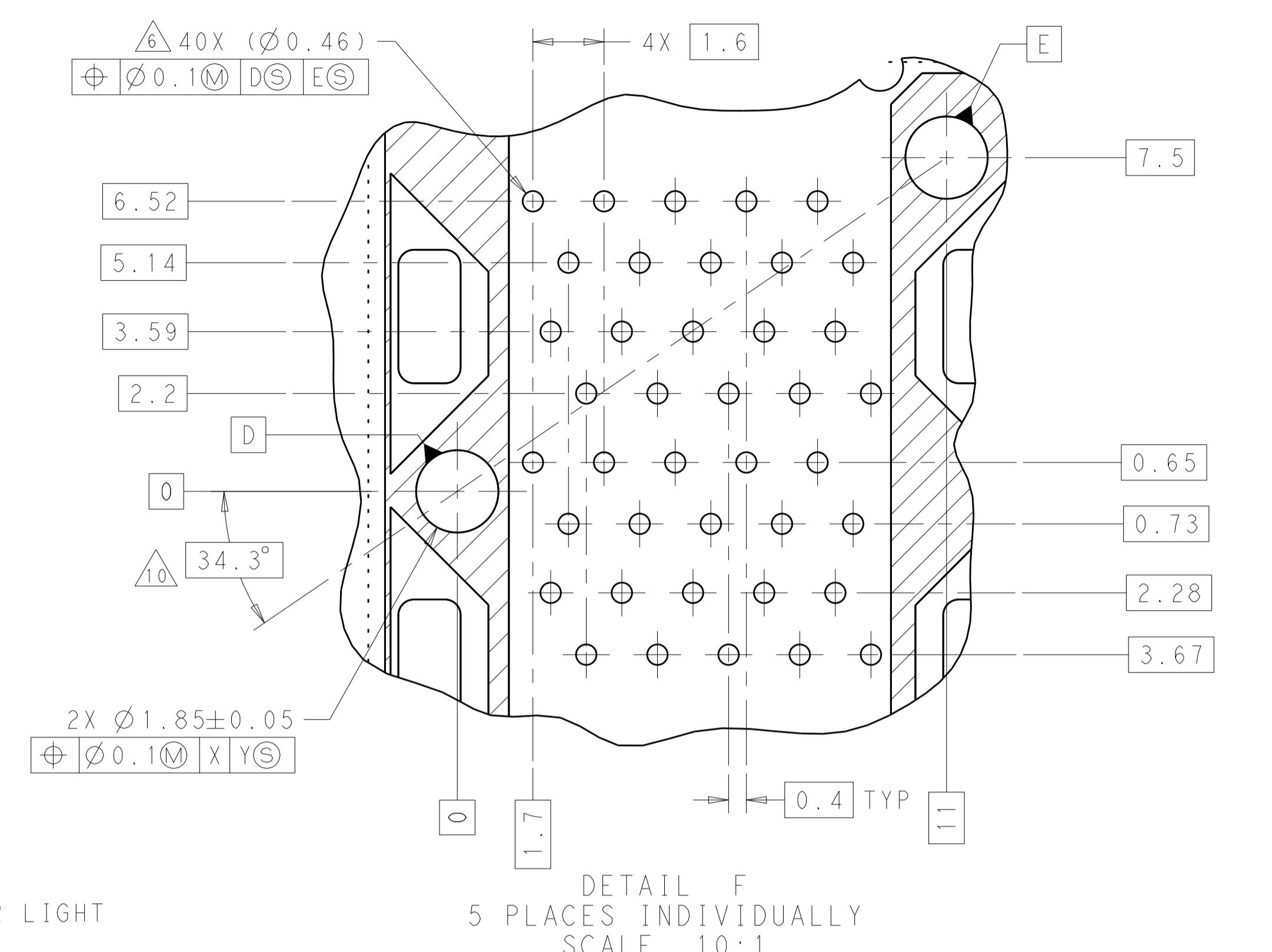
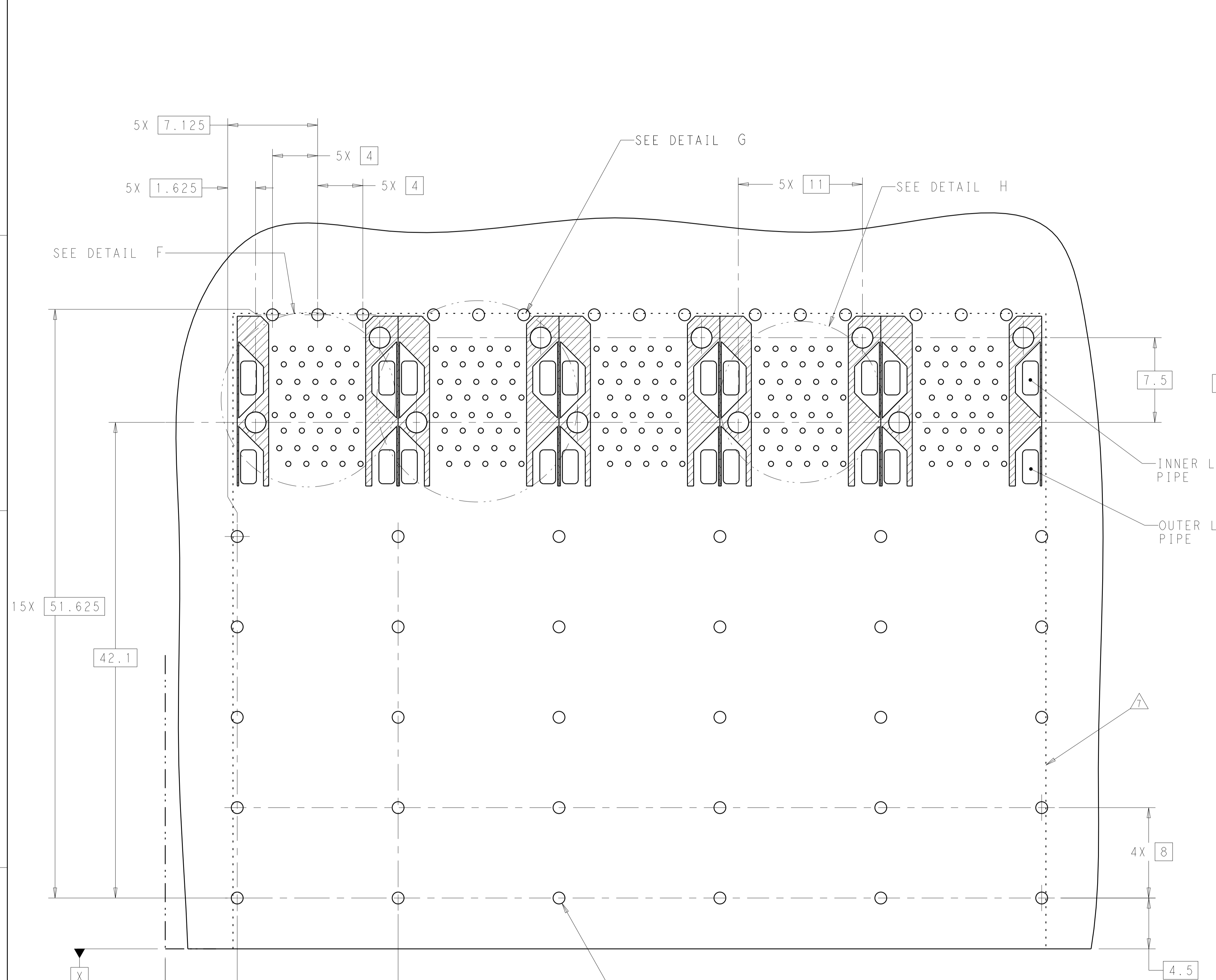
2132403-3, 2132403-7 AND 1-2132403-7
 SCALE 3:1



2132403-4, 2132403-8 AND 1-2132403-8
 SCALE 3:1

THIS DRAWING IS A CONTROLLED DOCUMENT. DIMENSIONING AND TOLERANCING PER ASME Y14.5M-2009		DMN C. VALENTINE 06JAN2010 CHK J. PETERSON 06JAN2010 APVD J. PETERSON 06JAN2010	TE Connectivity
DIMENSIONS: mm	TOLERANCES UNLESS OTHERWISE SPECIFIED: 0 PLC ±0.1 1 PLC ±0.1 2 PLC ±0.1 3 PLC ± 4 PLC ± ANGLES ± FINISH	NAME CAGE AND PT CONNECTOR ASSEMBLY, WITH EMI SPRINGS, PRESS FIT, 2X5, STACKED SFP+	
MATERIAL	FINISH	PRODUCT SPEC 108-2331 APPLICATION SPEC 114-13219 WEIGHT CUSTOMER DRAWING	SIZE CAGE CODE DRAWING NO. RESTRICTED TO A100779C=2132403 SCALE 4:1 SHEET 2 OF 4 REV A

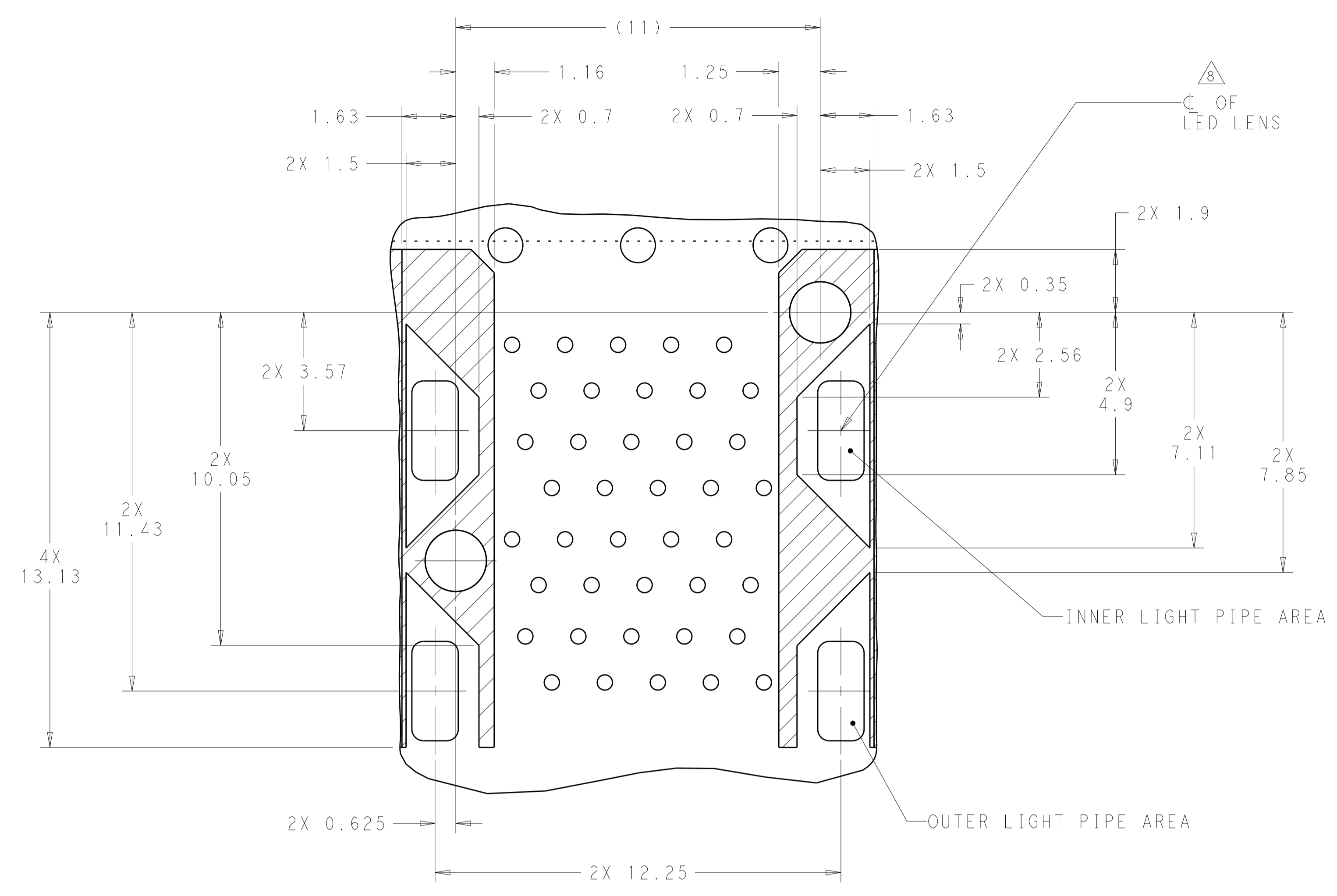
LOC	DIST	REV	DESCRIPTION	DATE	OWN	APVD
GP	00		SEE SHEET 1			



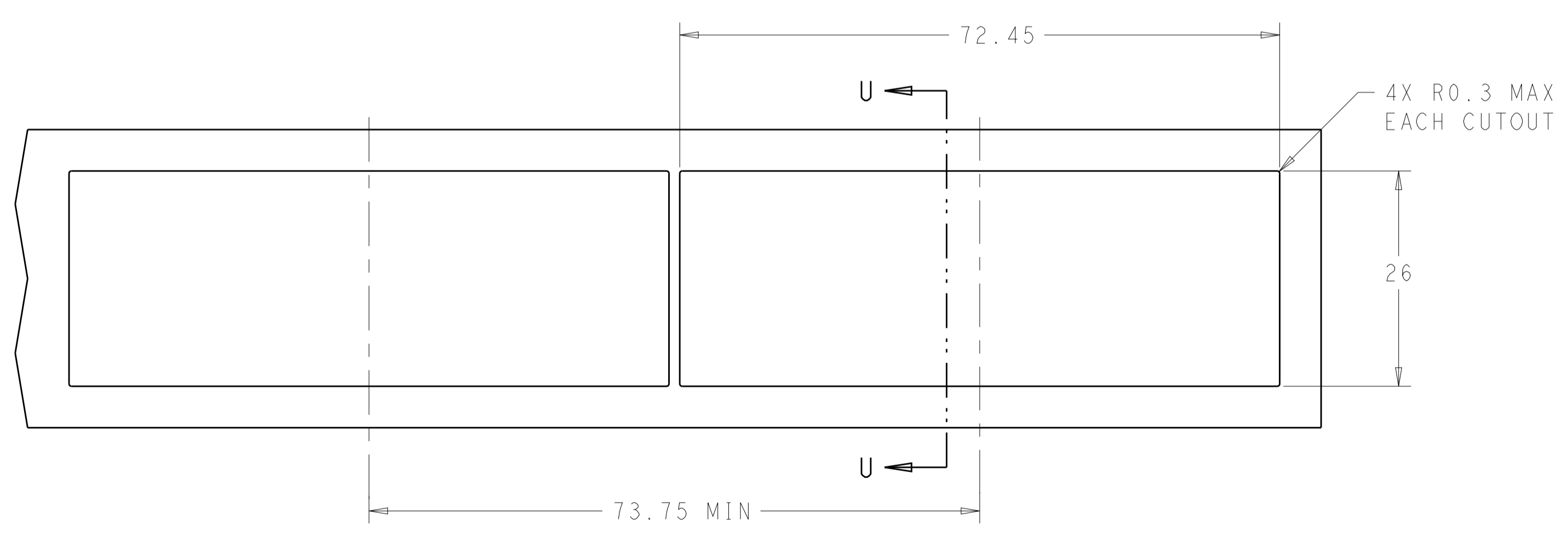
RECOMMENDED PCB LAYOUT
COMPONENT SIDE OF BOARD
SCALE 5:1

THIS DRAWING IS A CONTROLLED DOCUMENT. DIMENSIONING AND TOLERANCING PER ASME Y14.5M-2009.		OWN: C. VALENTINE 06JAN2010 CHK: J. PETERSON 06JAN2010 APVD: J. PETERSON 06JAN2010	TE Connectivity NAME: CAGE AND PT CONNECTOR ASSEMBLY, WITH EMI SPRINGS, PRESS FIT, 2X5, STACKED SFP+ PRODUCT SPEC: 108-2331 APPLICATION SPEC: 114-13219 SIZE: A1 CAGE CODE: 00779 DRAWING NO: C=2132403 RESTRICTED TO: - SCALE: 4:1 SHEET 3 OF 4 REV A	
DIMENSIONS: mm	TOLERANCES UNLESS OTHERWISE SPECIFIED:	0 PLC ±0.1 1 PLC ±0.1 2 PLC ±0.1 3 PLC ± 4 PLC ± ANGLES ±	MATERIAL:	FINISH:
CUSTOMER DRAWING		WEIGHT:		

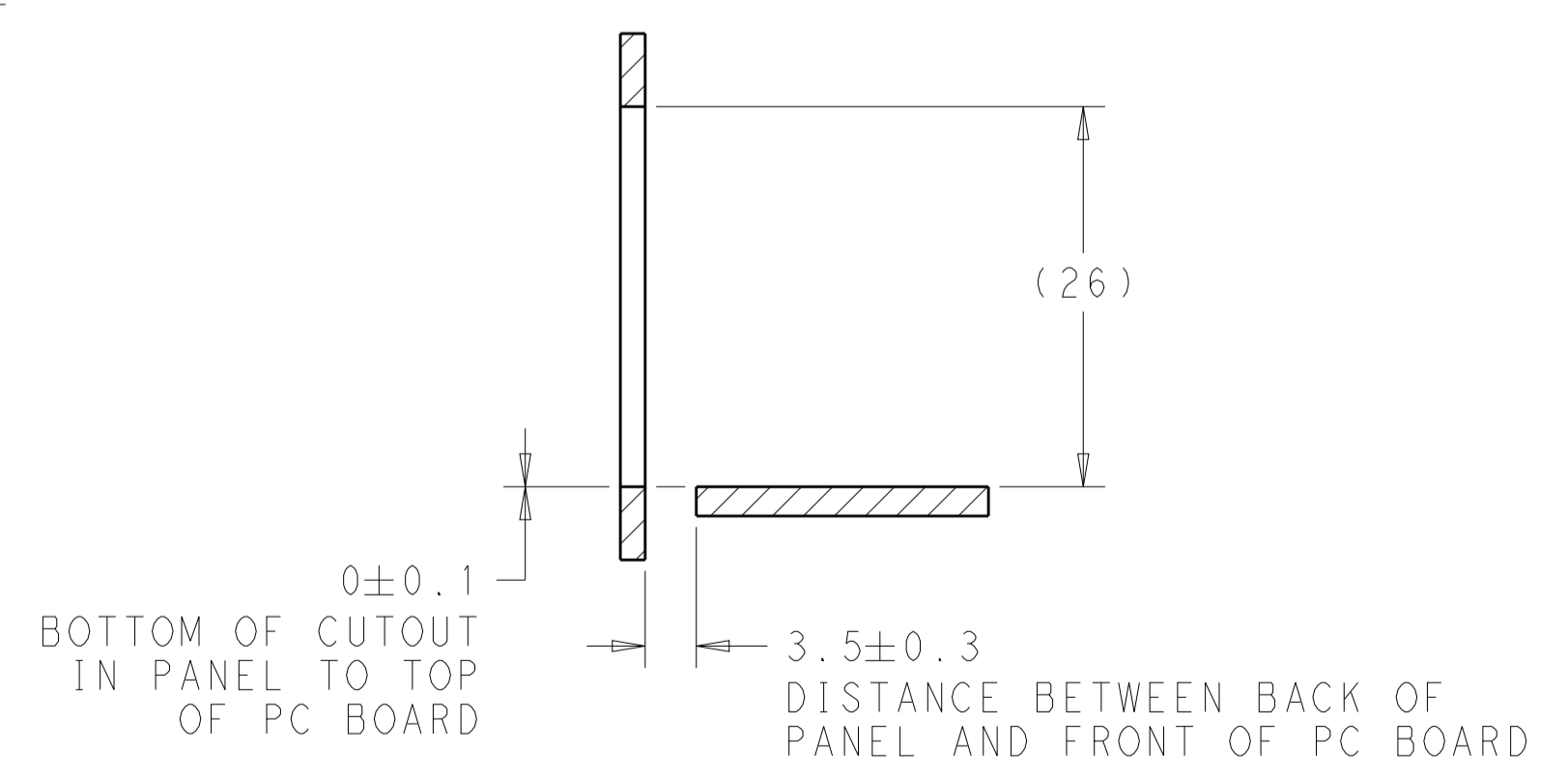
LOC	DIST	REVISIONS			
P	LTN	DESCRIPTION	DATE	DWN	APVD
-	-	SEE SHEET 1	-	-	-



DETAIL G
 CONNECTOR HOUSING
 KEEPOUT ZONE
 SCALE 10:1



RECOMMENDED PANEL CUTOUT
 AND PC BOARD, PANEL POSITION
 SCALE 2:1



SECTION U-U

THIS DRAWING IS A CONTROLLED DOCUMENT. DIMENSIONING AND TOLERANCING PER ASME Y14.5M-2009.		DWN C. VALENTINE 06JAN2010	TE Connectivity	
DIMENSIONS: mm		CHK J. PETERSON 06JAN2010	NAME CAGE AND PT CONNECTOR ASSEMBLY, WITH EMI SPRINGS, PRESS FIT, 2X5, STACKED SFP+	
TOLERANCES UNLESS OTHERWISE SPECIFIED:		APVD J. PETERSON 06JAN2010	PRODUCT SPEC	
0 PLC	±0.1	APPLICATION SPEC		
1 PLC	±0.1	108-2331		
2 PLC	±0.1	114-13219		
3 PLC	±	CAGE CODE DRAWING NO		
4 PLC	±	RESTRICTED TO		
ANGLES	±	A100779C=2132403		
MATERIAL	FINISH	WEIGHT		
CUSTOMER DRAWING		SCALE 4:1 SHEET 4 OF 4 REV A		